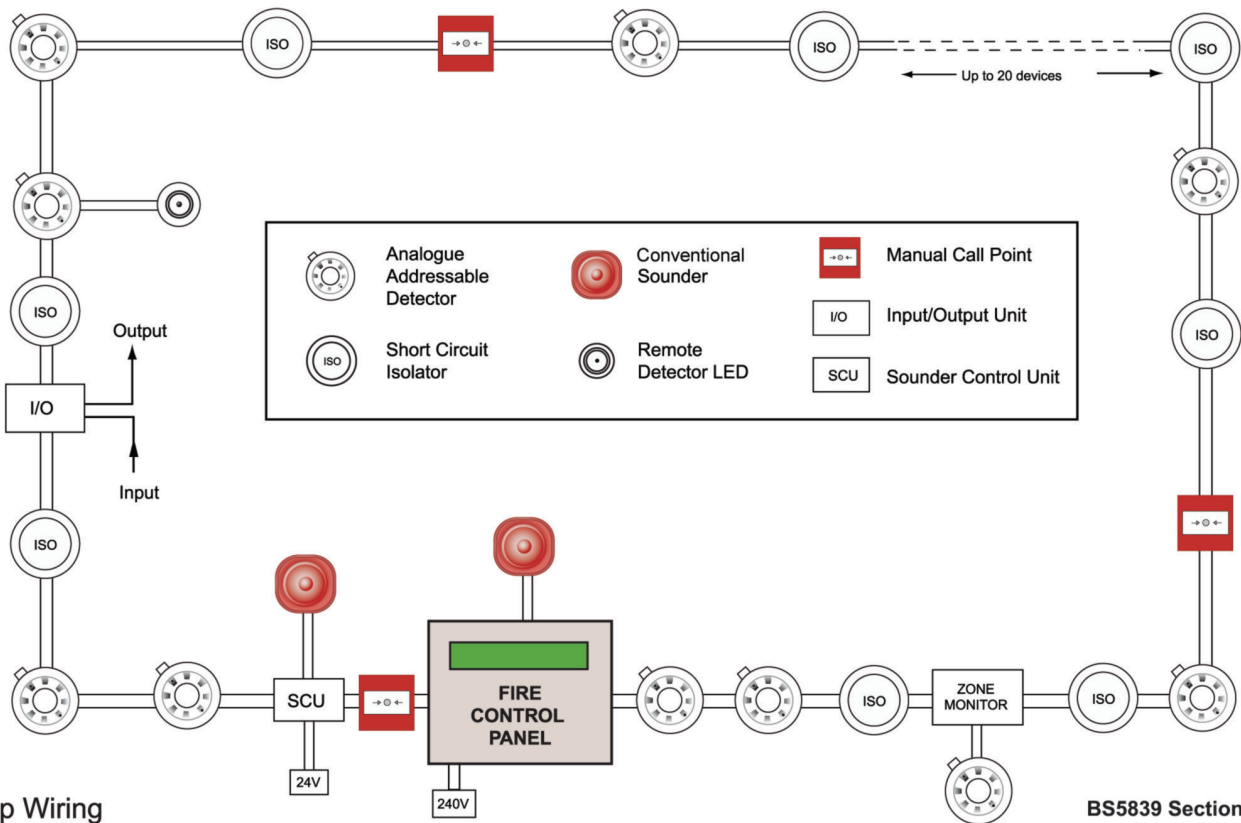


**2-Wire Wiring**

**BS5839 Section 26**

Fire resistant cabling is now required within the whole fire alarm system including the mains supply cables. The use of non-fire resisting cables whether mechanically protected by fire-resisting construction or not, will no longer comply with BS5839 Part 1.



Short circuit isolators limit the effect of one fault to 2000m<sup>2</sup>. 2 simultaneous faults on a circuit should not disable protection within an area greater than 10,000m<sup>2</sup>